

■Product summary

A touch panel compatible with a 42-inch plasma display, this device achieves the high resolution of Approx. 32 000 x 18 000 while maintaining an extremely thin and compact design.

With a built-in USB interface, the touch panel can be easily connected to peripheral devices of equipment such as personal computers.

■Product specifications (Design and specifications are subject to change without notice)

| Spec | |
|------------------------------|---|
| Detection system | Infrared retroreflective detection |
| Panel aperture (W x H) | 938 mm (W) x 538 mm (H) (36.9" x 21.2") |
| Detection range (W x H) | 920 mm (W) x 518 mm (H) (36.2" x 20.4") |
| Effective detection range | 920 mm (W) x 518 mm (H) (36.2" x 20.4") |
| Operation modes | Input point, Continuous, End point detection |
| Resolution (W x H) | 32 000 (W) x 18 000 (H) points *1 |
| Output system | Coordinate output |
| Optical elements | Infrared LED 4 pcs, CMOS image sensor 2 pcs |
| Minimum detection size | 7 mm (0.3") |
| Response rate | 100 points / sec. |
| Interface Spec | |
| Interface | USB 2.0 full speed device |
| Compliant signal | +DATA, -DATA, VCC, GND |
| I/F Connector | TYPE B |
| Structure | |
| Panel shape | Flat panel |
| Dimensions (W x H x D) | 1 016.4 mm (W) x 686 mm (H) x 47.9 mm (D) (40" X 26.9" x 1.9") (Except bracket, Inclusive of protruding portion) |
| Weight | 4.1 kg (9.0lbs) (Except bracket) |
| Escutcheon (frame) | Aluminum |
| Environment | |
| Temperature | Operation 0 to 40 °C (Temperature gradient) *2 |
| Humidity | Operation 20 to 80 % (No dewing) *2 |
| Resistance to external light | Lateral light 2 000 lx + 20 % (20° angle of incidence) |
| | Frontal light 10 000 lx + 20 % (90° angle of incidence) |
| Main unit | |
| Power supply (voltage) | DC + 5 V ± 10 % (Supplied from USB bus power) |
| Electric current | DC + 5 V max. 450 mA |

*1 : Resolution obtained by using a dedicated driver software.

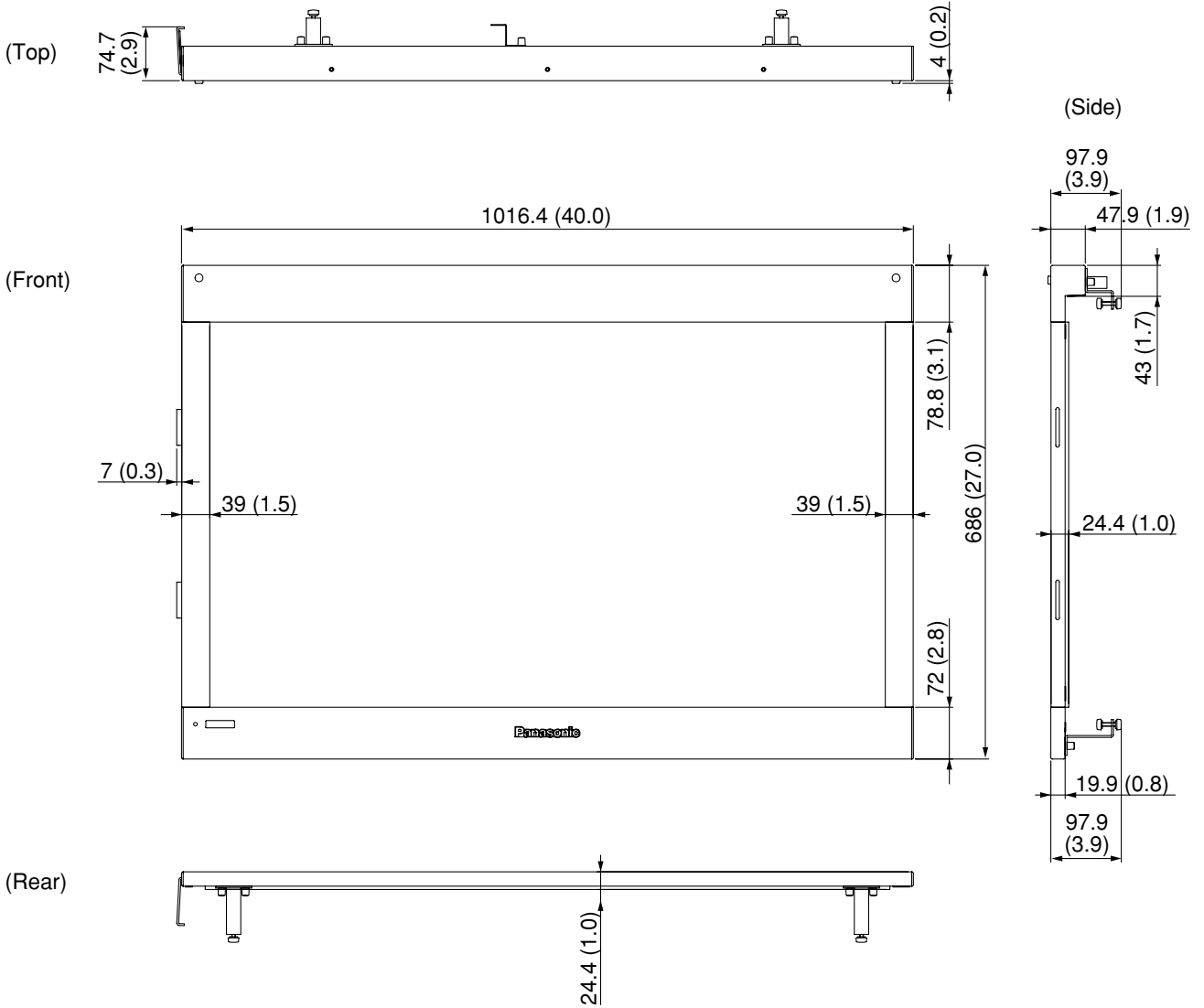
*2 : When the panel is attached to plasma display produced by Matsushita Electric Industrial Co., Ltd.

- Accessories
- USB Cable
 - CD-ROM
 - Operating instructions
 - Ferrit core
 - Tuch pen
 - Mounting bracket (A) (B)
 - Mounting bracket (B)
 - Vertical mounting bracket
 - USB cable anchor
 - Mounting screws (A) (B)
 - Tuch pen
 - Velcro strip
 - Rubber feet
 - USB driver touch panel setting program (aplicable OS : Microsoft, Windows 2000, Windows XP, Windows Vista (32 bit))

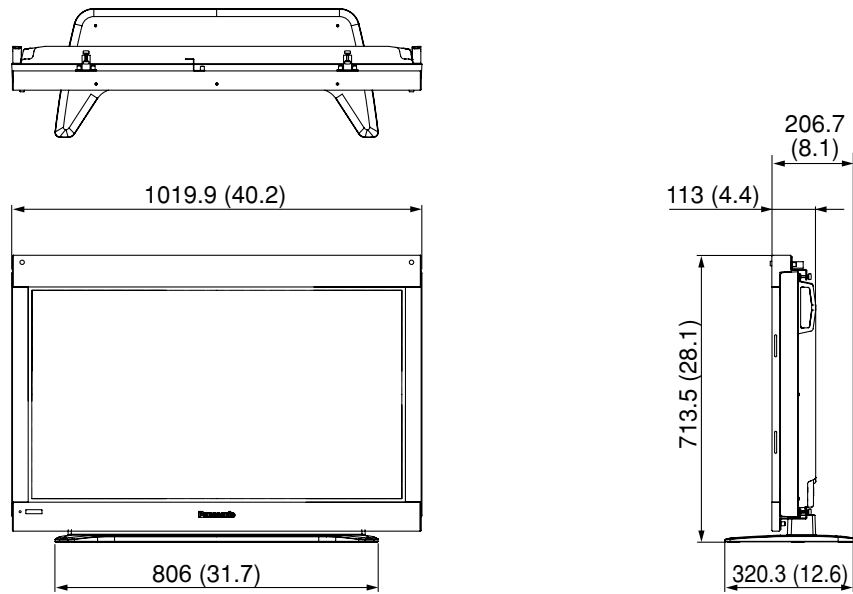
■Dimensions

Cautions : This drawing is not a scale.

Unit : mm (inches)



<When installed pedestal> (TY-ST07-K/S)



<When installed Mobile stand (with caster)> (TY-ST58PF10)

